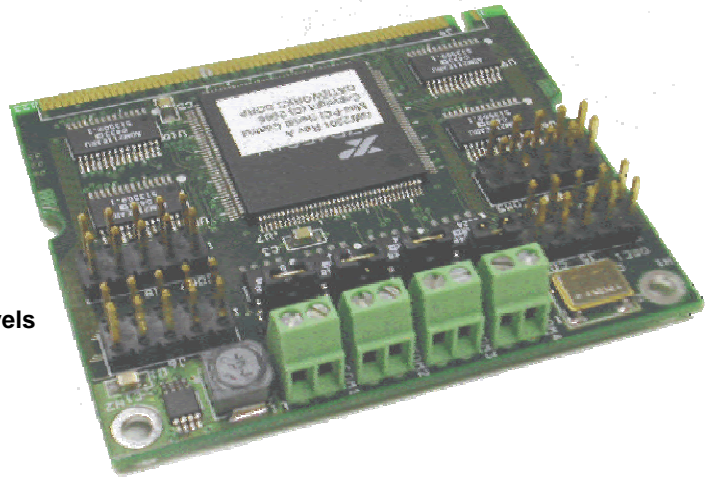


Mini-PCI serial communications expansion module adds four RS232 and four RS422/485 ports

The GW2201 is a communications module for adding eight serial ports to a Mini-PCI expansion site. The GW2201 includes a 16550 compatible octal serial controller configured with four channels of RS232 and four channels of RS422/485. Each RS232 serial port is available through a 10-pin header with a signal mapping that permits a standard ribbon cable connection to a PC compatible 9-pin D-shell connector. Each RS422/485 serial port is available in a half-duplex configuration through a 2-pin screw terminal and includes a jumper for enabling end-of-line termination.

FEATURES

- ▼ 32-Bit PCI Bus 2.3 Target Signaling Compliance
- ▼ 3.3V Mini-PCI type IIIA form factor
- ▼ Octal Serial Controller
 - ❖ 16550 Compatible Register Set
 - ❖ 64 Byte Transmit FIFO and Receive FIFO
 - ❖ Transmit and Receive FIFO Level Counters
 - ❖ Automatic RTS/CTS or DTR/DSR Flow Control
 - ❖ Automatic Xon/Xoff Software Flow Control
 - ❖ Up to 6.25Mbps Per Second Data Rate
 - ❖ General Purpose 16-Bit Timer/Counter
 - ❖ Programmable Transmit and Receive Trigger Levels
- ▼ Four RS232 Ports
 - ❖ Up to 230Kbits Per Second Data Rate
 - ❖ PC Compatible Signal Set
 - ❖ Mapped to 10-pin Headers
 - ❖ ESD Protection to IEC1000-4-2
 - ❖ Transient Burst Immunity to IEC1000-4-4
- ▼ Four RS422/485 Ports
 - ❖ Data Rate Limited by Octal Serial Controller
 - ❖ Half Duplex
 - ❖ Optional DTR Transmit Buffer Control
 - ❖ Jumper Selectable End-Of-Line Termination
 - ❖ Mapped to 2-pin Screw Terminals
- ▼ Fully Operational with Mini-PCI 3.3V Power
- ▼ 1 Year Warranty



SPECIFICATIONS

ELECTRICAL

Input Voltage:

- ▼ 3.0V to 3.6VDC

Operating Current:

- ▼ 0.1A Typical (Without RS485 Termination)

MECHANICAL

Dimensions:

- ▼ Industry Standard Mini-PCI Type IIIA Form Factor
- ▼ 2.35in x 2.00in (60mm x 51mm)
- ▼ Top Side Component Height: 0.33in (8.5mm)

Weight:

- ▼ 0.6 ounces (17g)

ENVIRONMENTAL

Operating Temperature:

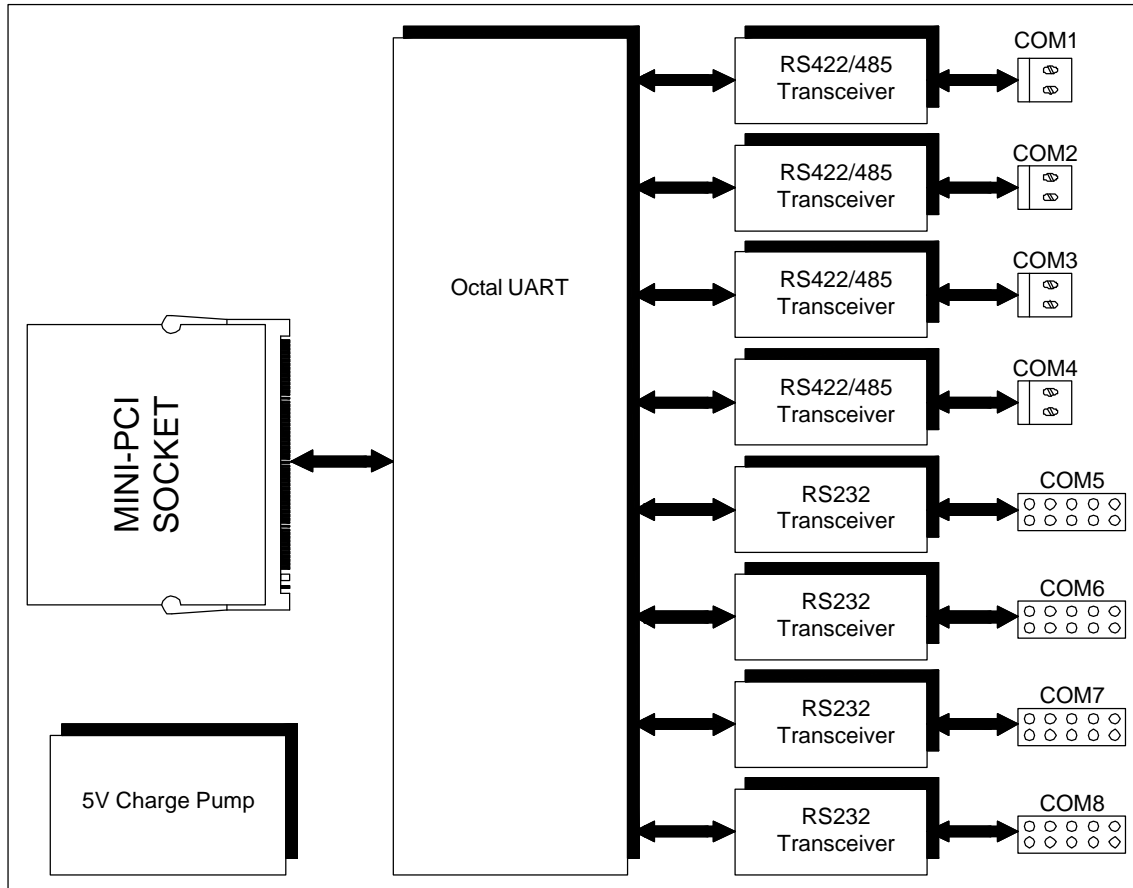
- ▼ -40°C to +85°C

Storage Temperature:

- ▼ -40°C to +85°C

Humidity (non-condensing):

- ▼ 5% to 95% at 40°C



GW2201 Functional Diagram

ORDERING OPTIONS

Standard Configurations
GW2201